

MUNDIAL

INDUSTRIAL PLUGS AND SOCKETS

Description: IP44 STRAIGHT FLUSH-FIT SOCKET 3P+E 380V 32A 6H

Reference:

03315

Characteristics:

Product type:	Low voltage straight flush-fit socket
Current:	32A
Poles:	3P+E
Voltage:	380/415 V
Frecuency(Hz):	-
Time code:	6
Colour:	Red
Weight (kg):	2,12
Dimensions:	
Materials:	Halogen-free plastic materials. Plastic parts: polyamide 6. Contacts: copper-zinc alloy
Packaging units:	10

Technical data:

Degree of protection:	IP44
Degree of protection remarks:	
Resistance to impact:	IK08
Glow wire resistance:	960 °C
Ball pressure test:	125 °C
Ambient temperature range:	-25 °C / +40 °C

Certifications and norms:

Directive:	2014/35/EU
Standards:	IEC 60309-1-2
Certificates:	



Codes:

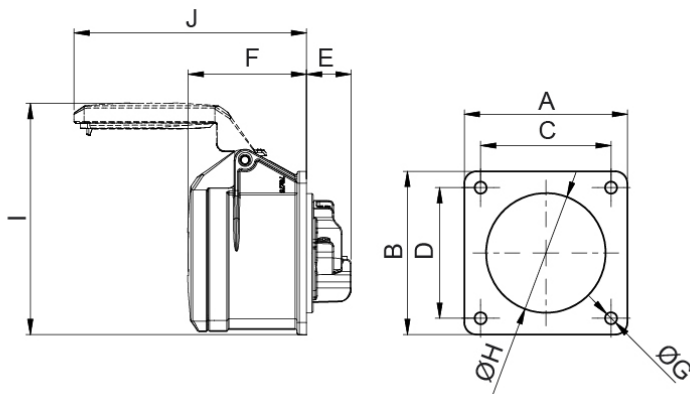
EAN:	8431044033150
Customs tariff number:	85.36.69.90
ETIM 8.0:	EC001317

MUNDIAL

INDUSTRIAL PLUGS AND SOCKETS

Description: IP44 STRAIGHT FLUSH-FIT SOCKET 3P+E 380V 32A 6H

Reference: 03315



Dimensions:

Current	Poles	Dimensions							
		AxB	CxD	E	F	G	H	I	J
16 A	2P+E	70x70	56x56	21	55	5,5	43	87	101
	3P+E	70x70	56x56	21	55	5,5	45	101	101
	3P+N+E	70x70	56x56	21	55	5,5	55	105	107
32A	2P+E	70x70	56x56	23	67	5,5	55	112	122
	3P+E	70x70	56x56	23	67	5,5	55	112	122
	3P+N+E	70x70	56x56	23	67	5,5	58	108	136

Sustainability:

RoHS - REACH

Product end of life stage:

Product concerned in the WEEE regulations.

Supply:

Supplied in a single box per packaging multiple